

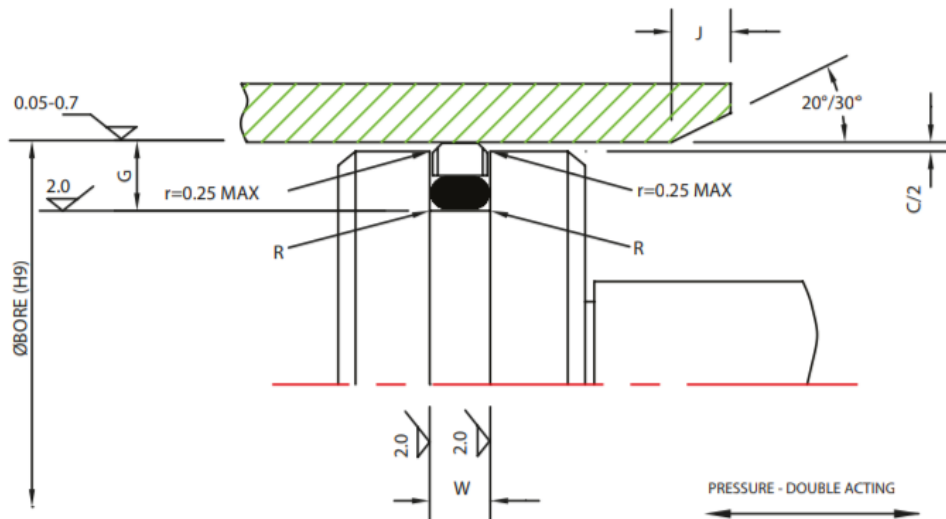


FLUOROCARBON

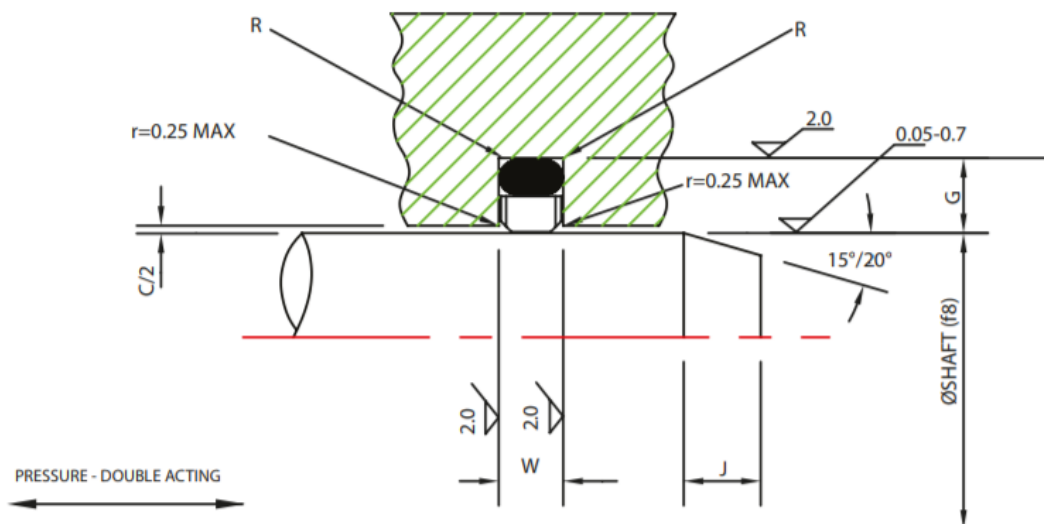
Case study

Developing high performance damper seals

F100B Piston Seal



F100R Rod Seal



Typical seal design using FL148 in combination with an elastomeric energiser



Industry - Automotive

Fluorocarbon are committed to the manufacturing of products to meet our automotive customer's present and future requirements.

Our cost-effective components offering longevity, are designed to meet the high-quality demands dictated by APQP, PPAP and SPC.



Our client manufactures a high performance oil filled damper system for suspension and control systems on high performance commercial passenger transport.

The requirement was for a seal running on a hard chrome shaft with low friction properties which gave fast reaction times to movement inputs adding to passenger comfort and reduced wear.

The system needed to offer long life, keeping service running costs minimal whilst maintaining the integral qualities of the damping unit.



Fluorocarbon's Fluorinoid FL148 was the sealing material used.

This engineered material combines the low friction properties of PTFE with the lubrication qualities of the embedded fillers.

The filler material enhances the seal life and the polymer is carefully matched to work effectively in this arduous application.

The suspension system was designed by our client to cover in excess of 2.5M Km so long life whilst maintaining performance were critical requirements. FL148 met this design brief completely.

Fluorinoid FL148 is a high performance sealing and bearing material ideal for a wide range of hydraulic applications, offering excellent performance through its enhanced resistance to wear and creep.

Find out how Fluorocarbon can help your company improve efficiency and save money at www.fluorocarbon.co.uk email info@fluorocarbon.co.uk or call us on 0845 2505 100